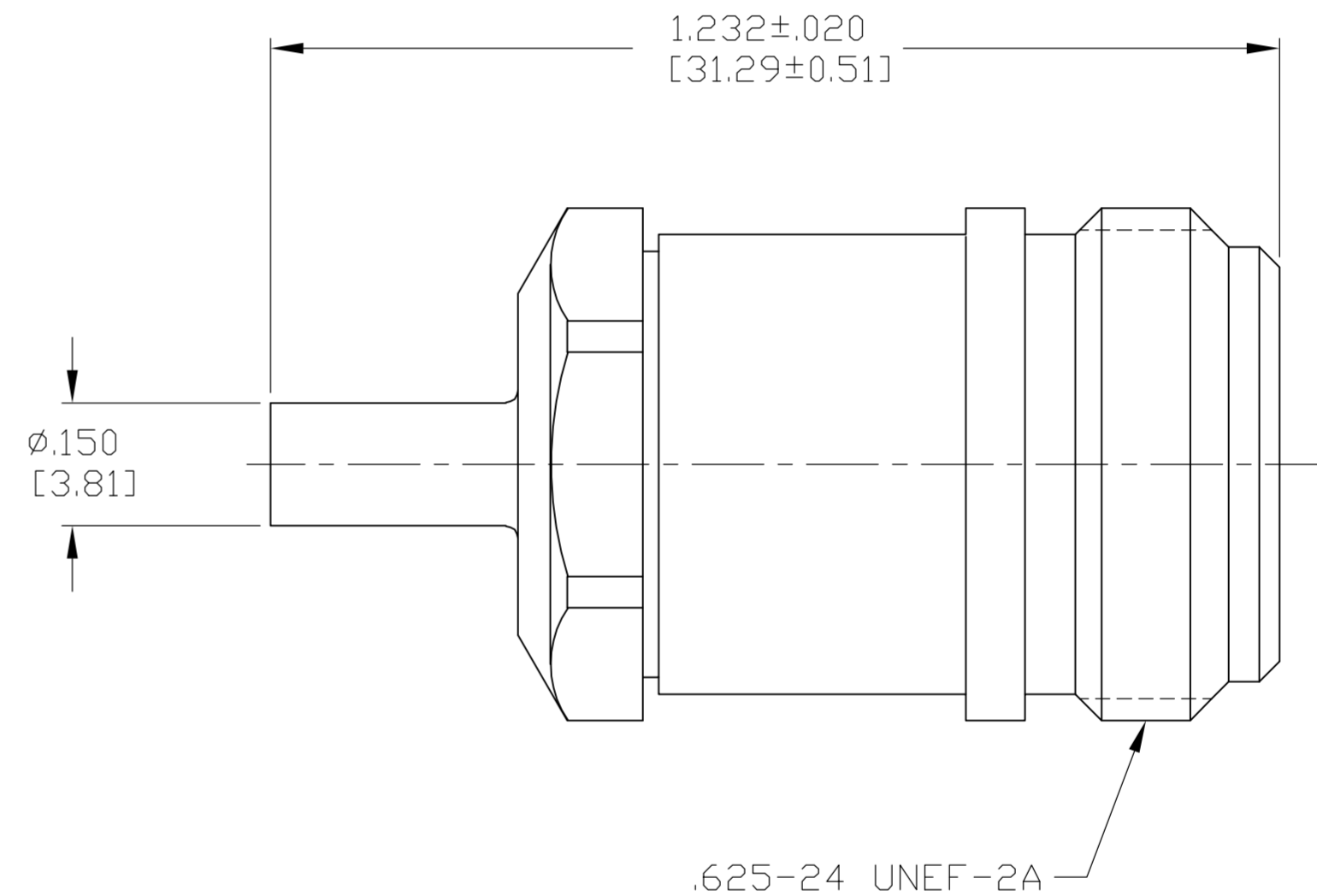
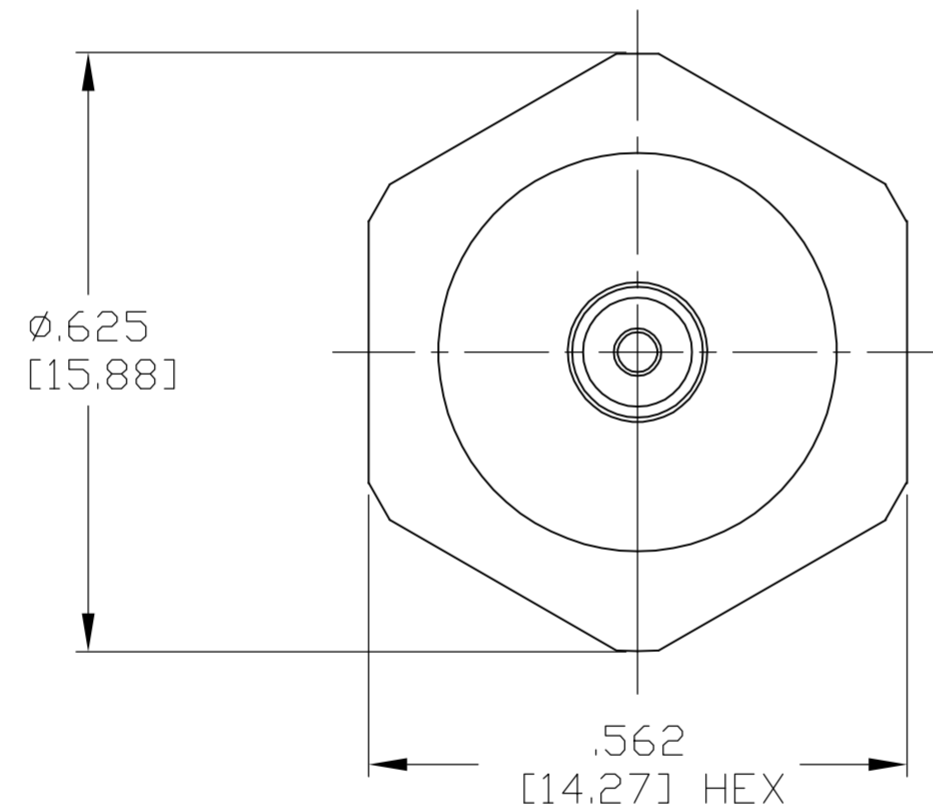


THIS DRAWING IS UNPUBLISHED. RELEASED FOR PUBLICATION
 © COPYRIGHT BY TYCO ELECTRONICS CORPORATION. ALL RIGHTS RESERVED.

LOC	DIST	REVISIONS					
DF	X0	P	LTR	DESCRIPTION	DATE	DWN	APVD
		0		RELEASED	2-14-06	CT	RG

COMPONENT	MATERIAL	FINISH
HOUSING	STAINLESS STEEL PER ASTM-A484 AND ASTM-A582, TYPE 303	GOLD PLATE PER ASTM-B-488
HOUSING	STAINLESS STEEL PER ASTM-A484 AND ASTM-A582, TYPE 303	PASSIVATE PER SAE-AMS-2700
DIELECTRIC	TFE FLUOROCARBON PER ASTM-D-1457	N/A
CENTER CONTACT	BERYLLIUM COPPER PER ASTM B 196, ALLOY C17300, CONDITION H	GOLD PLATE PER ASTM-B-488
"O" - RING	SILICONE RUBBER PER ZZ-R-765, CLASS 2B	N/A



ELECTRICAL	MECHANICAL	ENVIRONMENTAL
Nominal Impedance (Ohms) 50	Interface Dimensions MIL-STD-348A, Fig. 304.1	TEMPERATURE RATING -65 °C TO +165 °C
Frequency Range (GHz) 0 to 11 GHz	Recommended Mating Torque 6-10 In-Lbs	Vibration MIL-STD-202, Method 204, Condition B
Volt Rating (VRMS MAX) @ Sea Level 1000	Mating Characteristics: Insertion (MAX Lbs) 2	Shock MIL-STD-202, Method 213, Condition I
VSWR 1.06 +.007f(GHz)	Withdrawal (MIN Oz) 2	Thermal Shock MIL-STD-202, Method 107, Condition B, EXCEPT HIGH TEMP 85°C
Insertion Loss (dB MAX) .04 √f(GHz)	Force to Engage (In/Lbs MAX) 6 In-Lbs	Moisture Resistance MIL-STD-202, Method 106, Except Vibration
RF Leakage (dB MIN) -90	Disengage (In/Lbs MAX) 6 In-Lbs	Corrosion - MIL-STD-202, Method 101, Condition B, 5% salt spray
Corona, 70,000 Ft (VRMS MIN) 500	Center Contact Captivation Axial (Lbs) N/A	
Dielectric Withstanding Voltage (VRMS MIN) @ Sea Level 1500	Radial (In/Oz) N/A	
Contact Resistance (Milliohms MAX) Center Contact 1.0	Cable Retention Axial Force (Lbs) 60 Lbs	
Outer Contact 0.2	Weight (Grams) TBD	
RF High Potential @ Sea Level (VRMS MIN @ 5 MHz) 1500		
I.R.(Megohms MIN) 5000		

DESIGNED FOR USE WITH FA12RX CABLE
 CABLE ENTRY DIAMETER MINIMUM
 HOUSING .113 [2.87]
 CONTACT .033 [0.84]

THIS DRAWING IS A CONTROLLED DOCUMENT.		DWN C.C.THOMAS 14FEB2006	AMP Tyco Electronics Corporation Harrisburg, PA 17105-3608	
DIMENSIONS: INCHES [mm]		CHK R.GROSS 2-15-06	NAME OSN STRAIGHT CABLE JACK KIT, DIRECT SOLDER ATTACHMENT	
TOLERANCES UNLESS OTHERWISE SPECIFIED:		APVD R.GROSS 2-15-06	SIZE A2 CAGE CODE 00779 DRAWING NO C=1883240	
0 PLC ± -	1 PLC ± -	PRODUCT SPEC -	RESTRICTED TO -	
2 PLC ± -	3 PLC ± .005 [0.13]	APPLICATION SPEC 408-4913	SCALE 5:1 SHEET 1 of 1 REV 0	
4 PLC ± -	ANGLES ± 1°	WEIGHT -		
MATERIAL SEE TABLE	FINISH SEE TABLE	CUSTOMER DRAWING		

1883240-1
 PART NUMBER